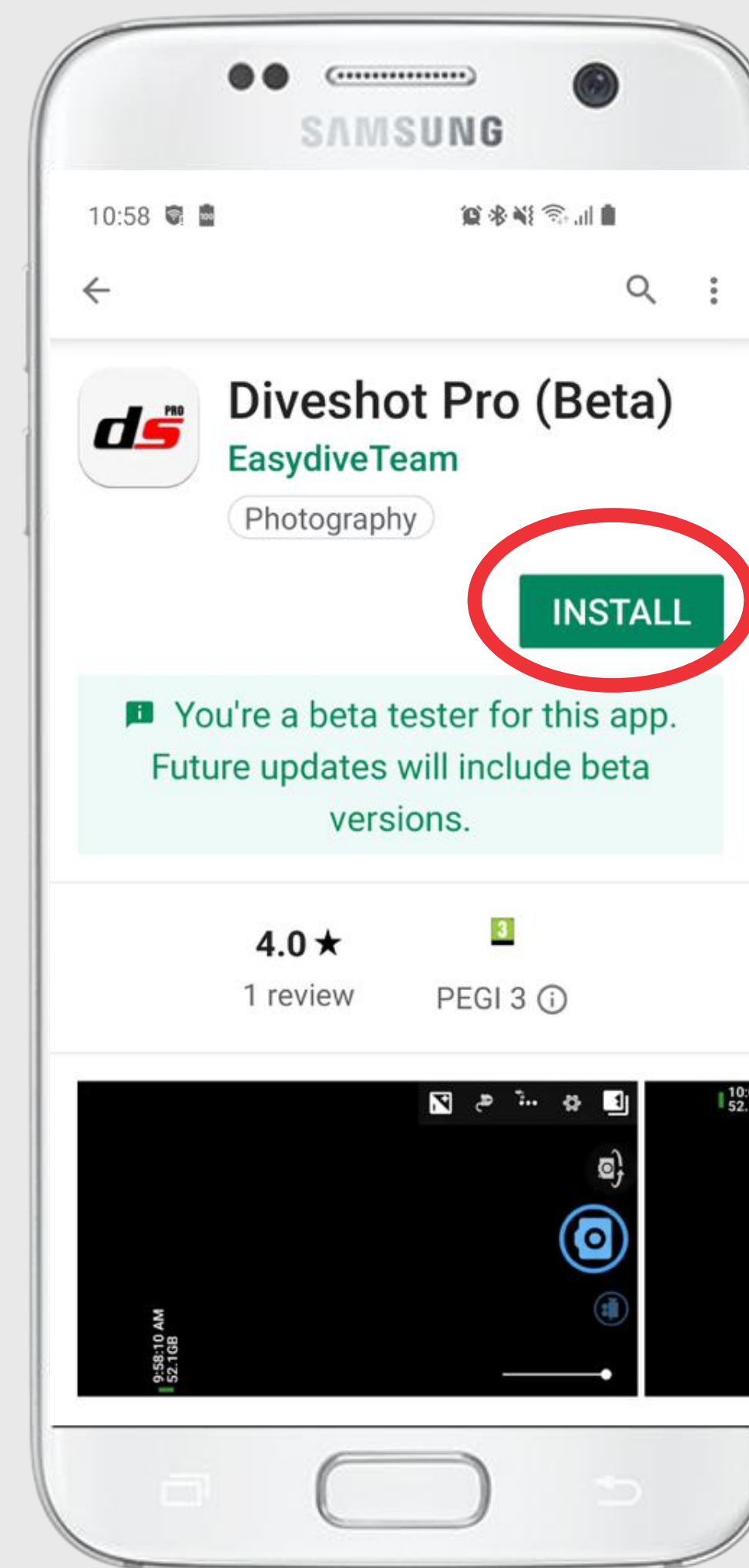


Download our Diveshot Pro App on your Smartphone

In order to use this housing, it is necessary to download the Diveshot Pro App on your smartphone. To do this, simply access the Digital Store directly from your mobile (Google Store for Android smartphones) and write into the search box "Diveshot Pro". Alternatively, you can capture the QR Code here next. Download our Diveshot Pro App is completely free. Just click on "Get" or "Install" to start the App download*.

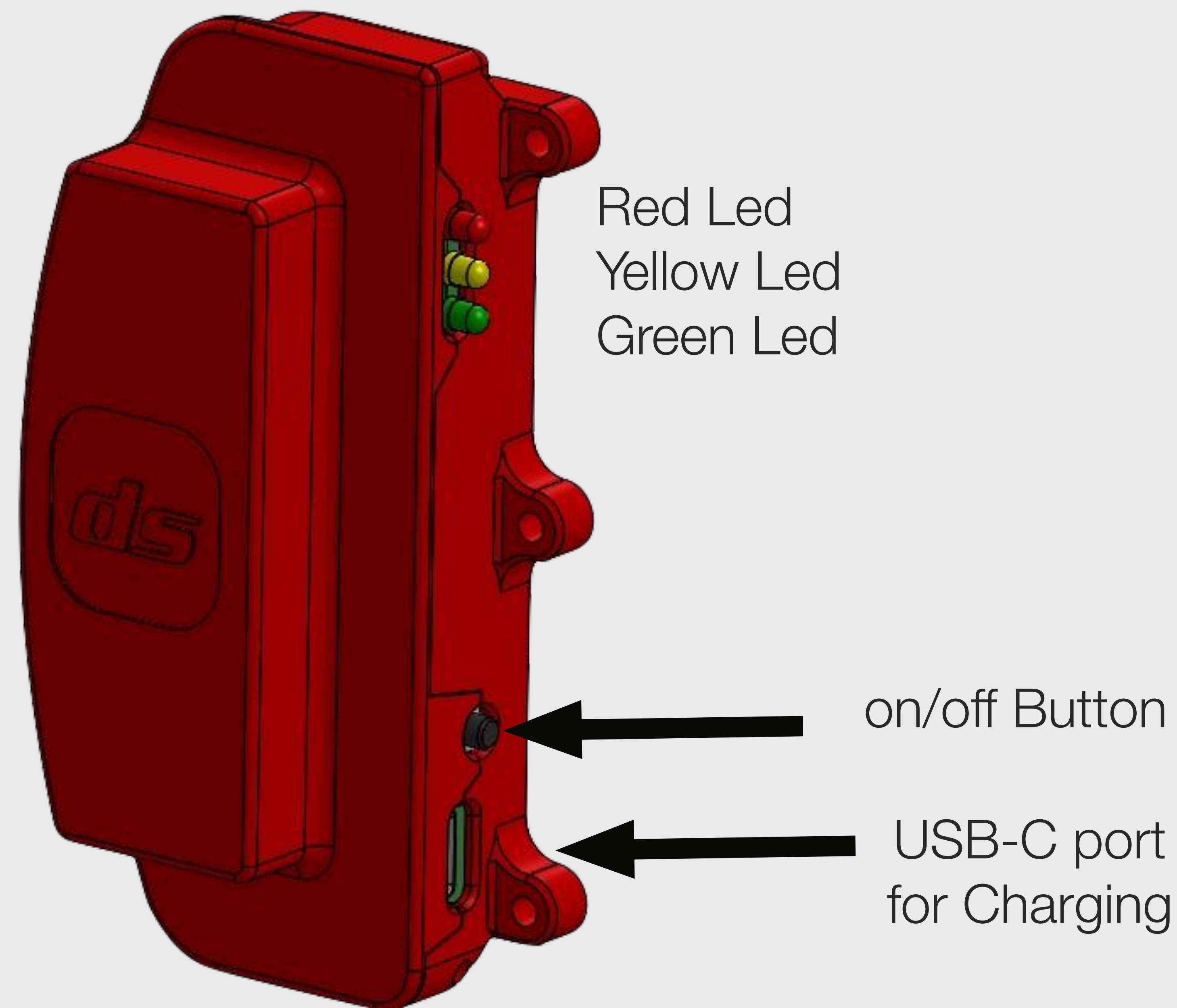


Available only for Android
Operating Systems



* You may need to enter your personal password to begin the Application download.

Battery and Charging Mode



Li-ion Battery, 3.7 V - 1050 mAh. Autonomy 10 hours, time for recharging 30 minutes.

Keep pushed the on/off button until all the three colored LEDs light up, to turn on the electronic. To turn off, keep press again for 2 sec.

The Red Led Flashing means that the sensor panel is not yet connected to your smartphone.

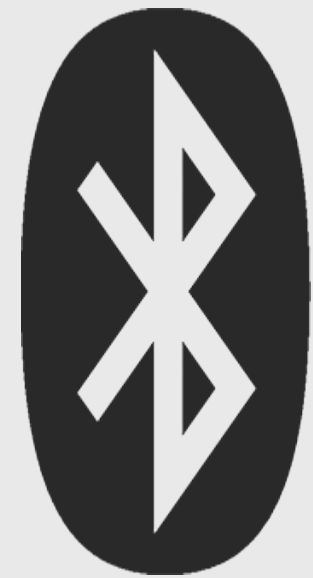
When you connect the USB-C cable to the port, all 3 LEDs turn on and off *. The green LED indicates the end of the recharge. In any case, it is possible to follow the progress of the recharge by connecting the smartphone to the housing and checking the status of the red battery (Housing's battery).

If you reach 20% of the battery, the Yellow Led will start to flash.

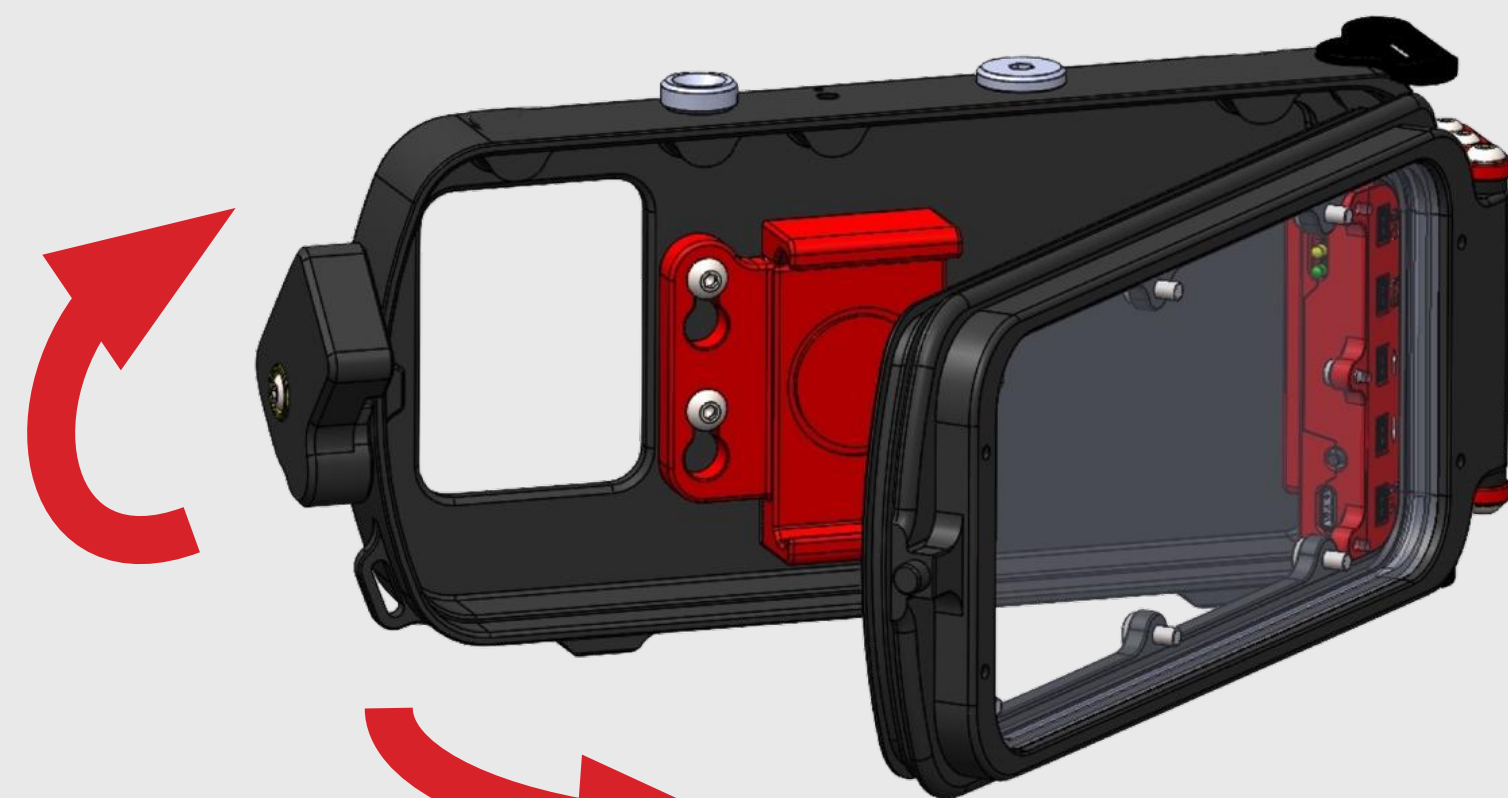
The Green Led start to flash when the bluetooth connection is active. When you cover a sensor, the green led becomes fixed, until you take your finger off the sensor.

* Use a USB wall charger. Do not connect the housing to a PC.

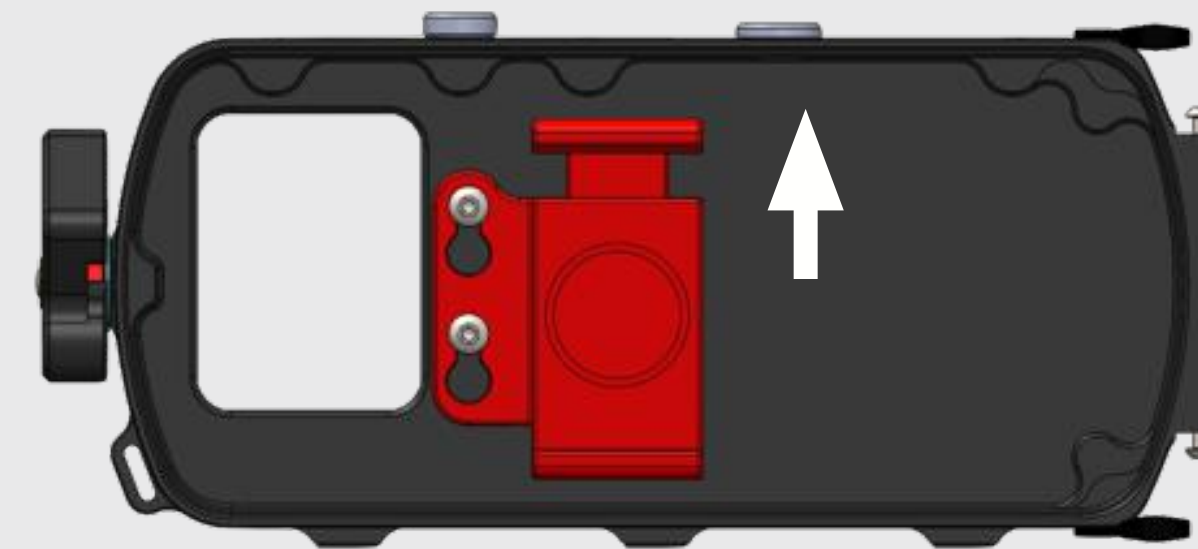
Start-Up Diveshot Pro



1. Enable Bluetooth



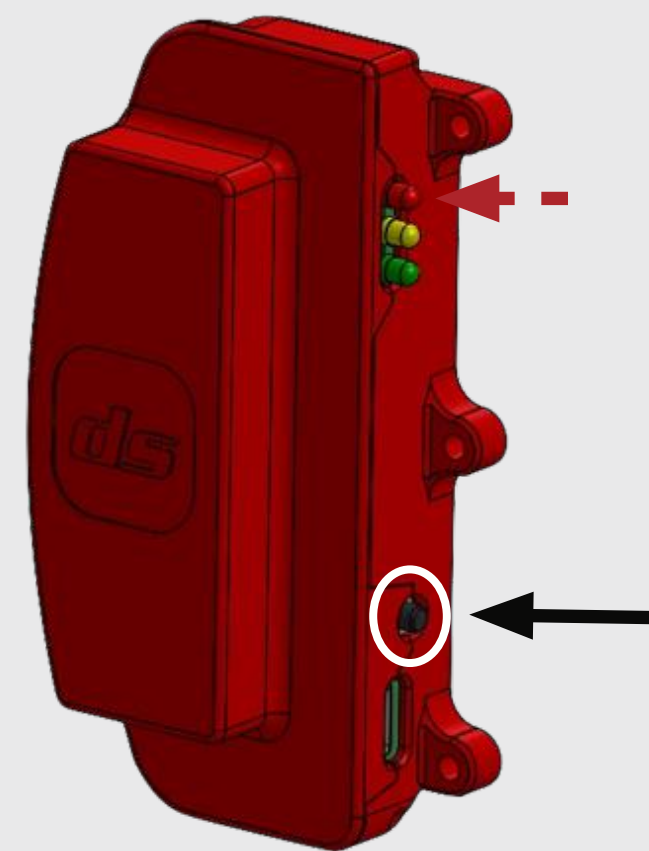
2. Open the Housing



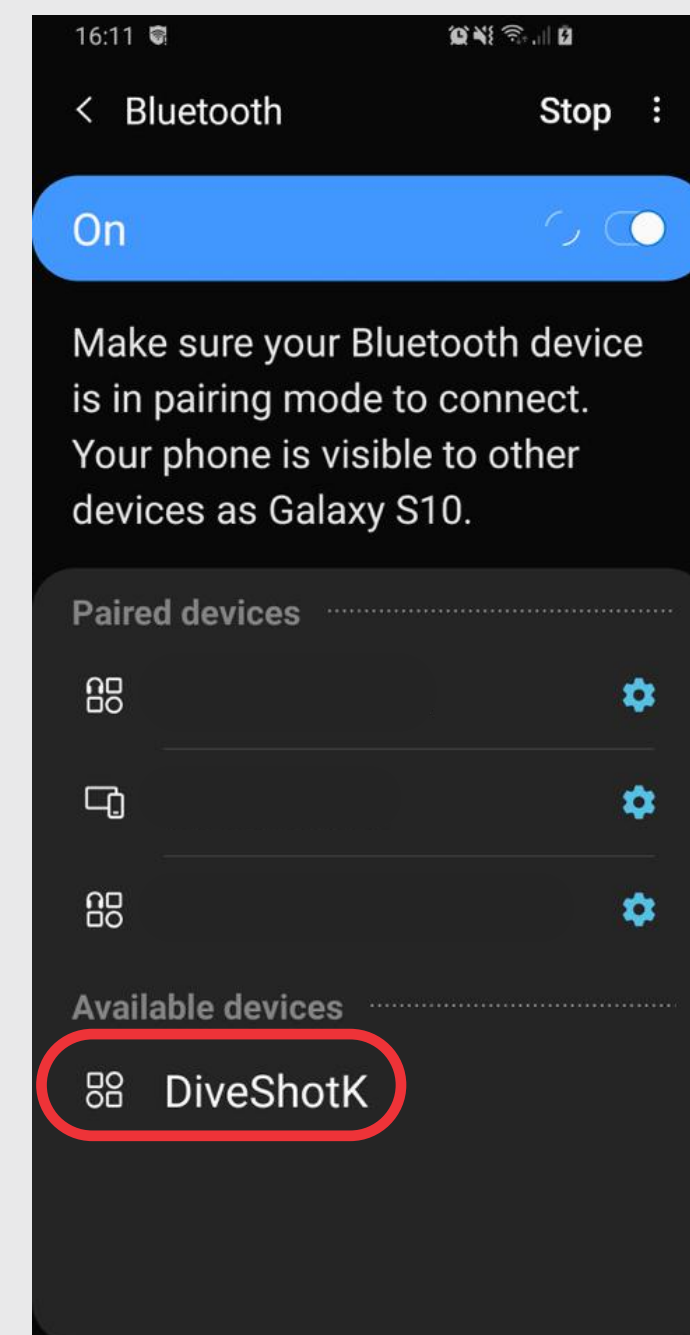
3. Enter your Smartphone into the Grab



4. Put your smartphone with the front camera visible from the front window



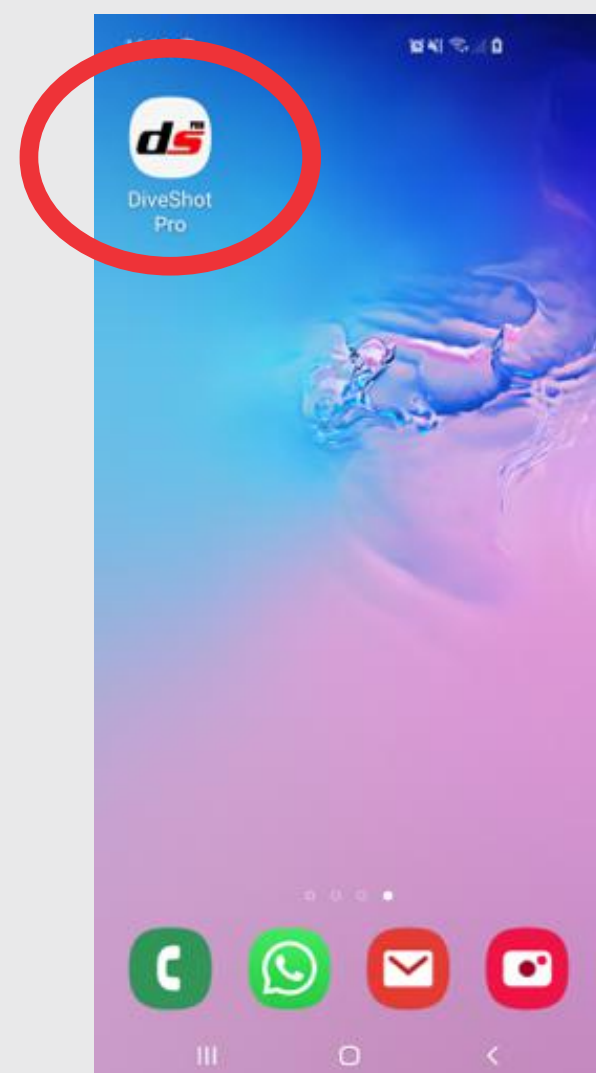
5. Press the power button. The red LED will start flashing.



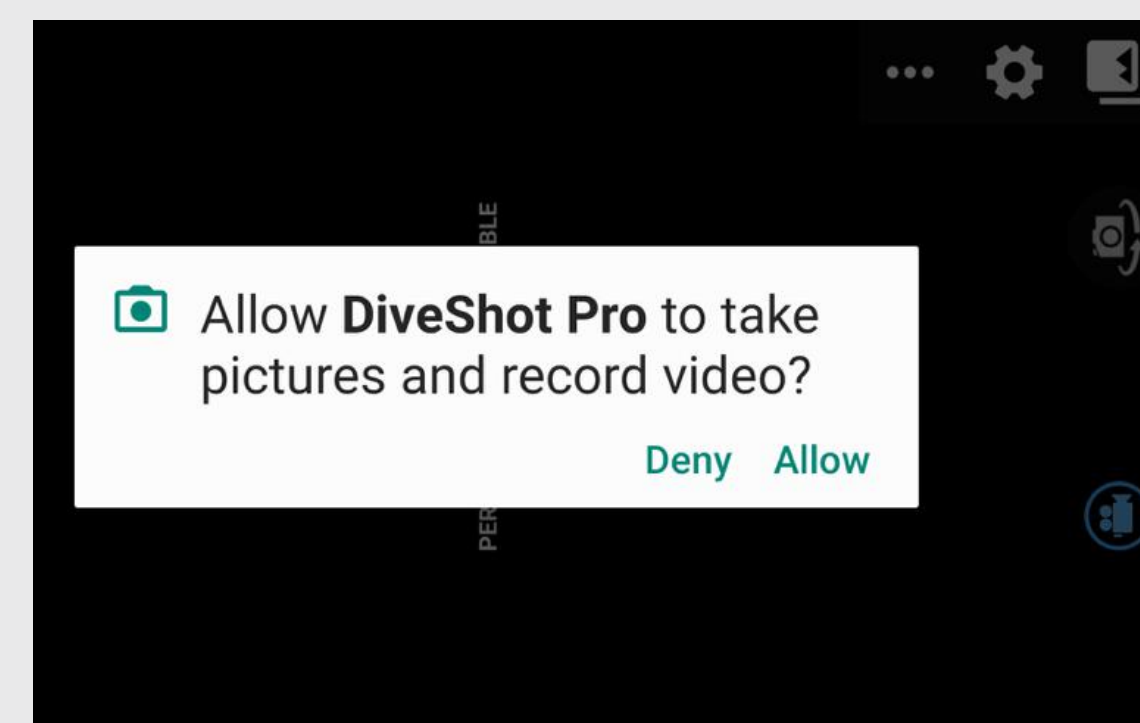
6. Search in Phone Settings, Bluetooth and connected to DiveshotK.



7. If the bluetooth connection is successful, the green LED will start flashing.



8. Launch the Diveshot Pro App



9. Grant the App access to the camera, the smartphone gallery and Microphone (for this access switch in Video Mode).

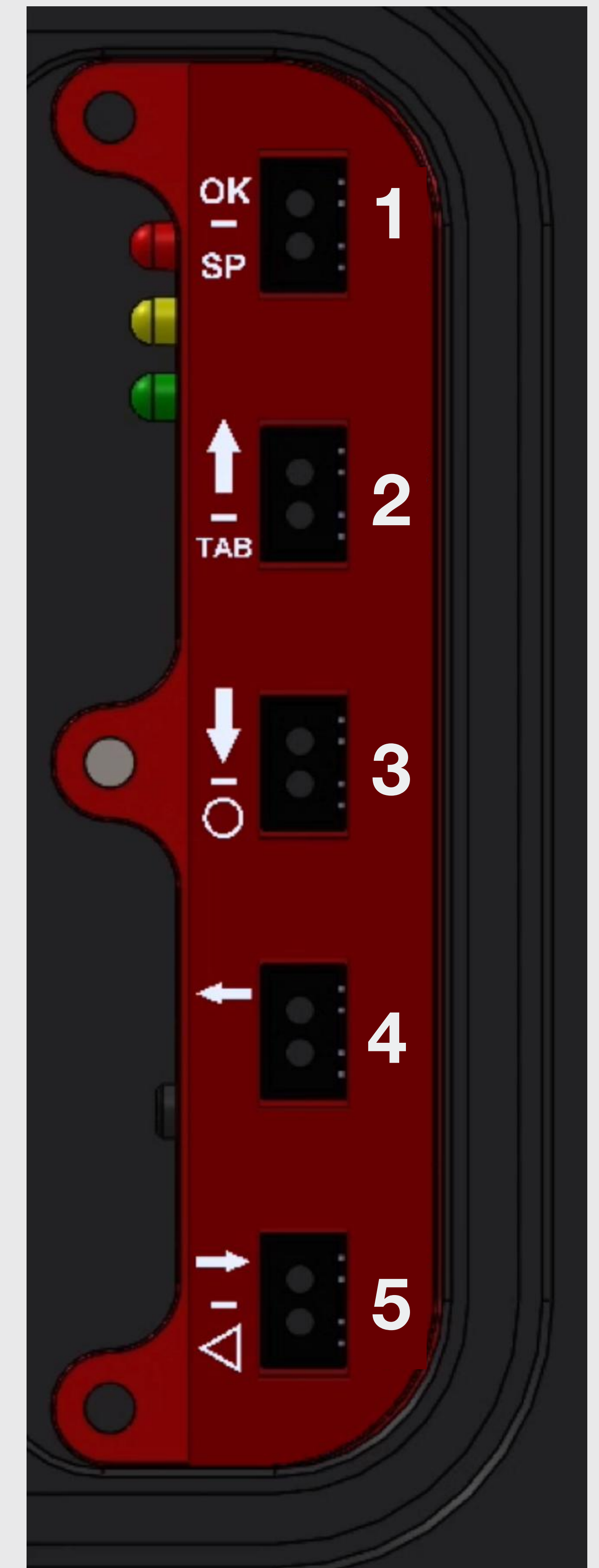
10. Now you can close the Housing and Start to Use it. Enjoy with your Diveshot.

Diveshot Control Panel: Pro Version

1. Confirmation sensor (OK). This sensor confirms the selection and opens the related menu or confirms the selected parameter. If you select the large central icon, allows to Shoot or Start/ Stop the Video Recording button.
2. Arrow up sensor. This sensor allows you to navigate, moving the selection upward. By keeping the sensor pressed for 5 sec, you have the "TAB" sensor, allows selection of items not reachable with arrows.
3. Arrow down sensor. This sensor allows you to navigate, moving the selection downward. By keeping the sensor pressed for 5 sec, Return to the Home screen of your smartphone (Home Button).
4. Arrow left sensor. This sensor allows you to navigate, moving the selection on the left. Keep press for 5 sec. for switch off or on the Smartphone's Screen.
5. Arrow right sensor. This sensor allows you to navigate, moving the selection on the right. By keeping the sensor pressed for 5 sec, you can go back to the previous screen (Back Button).

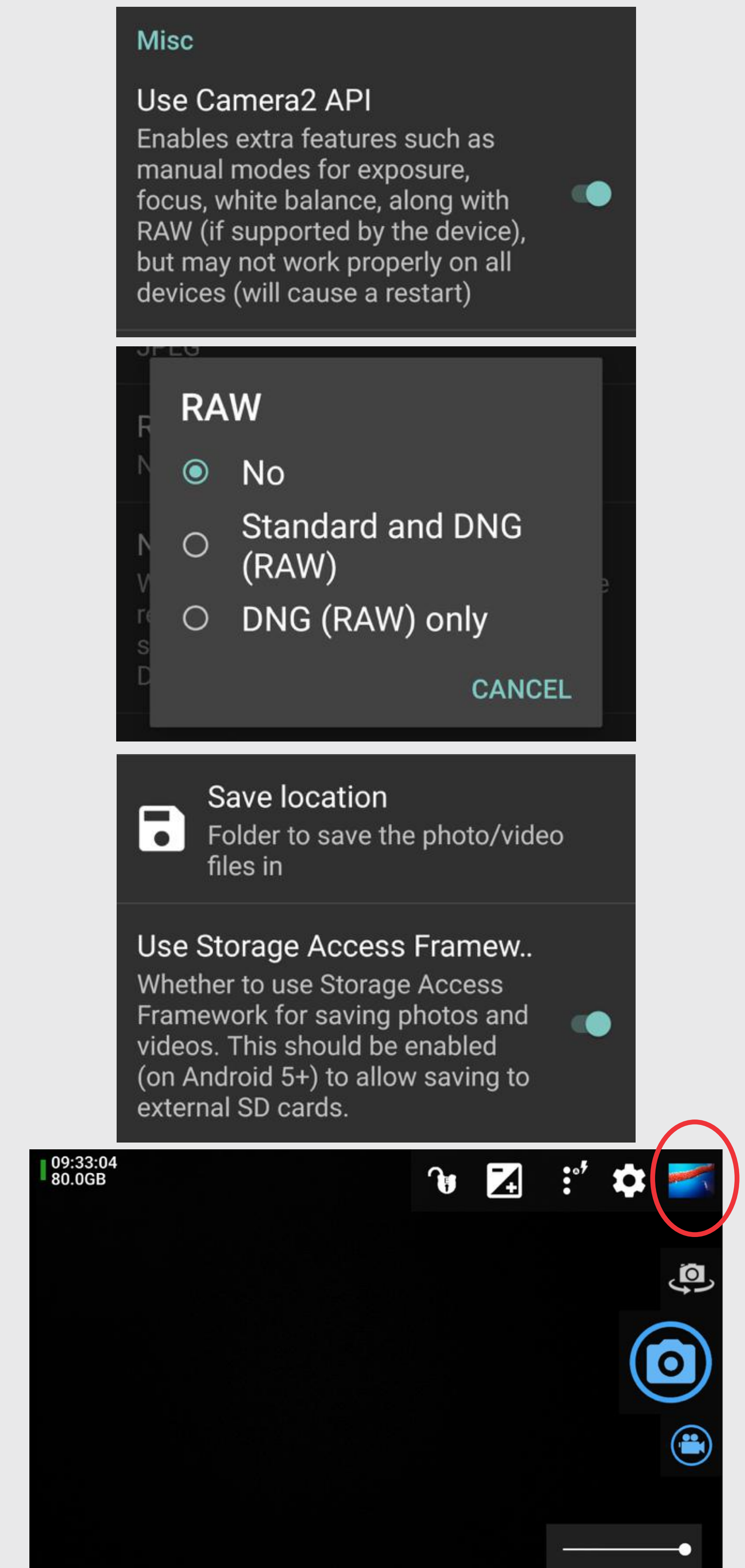


Cover the sensor completely with your thumb.



Use Tricks Diveshot Pro

1. 4K Video Resolution and RAW format for photos (for phones that support these formats), must be enabled in the settings menu (Gear Icon), first page in the bottom part: "Use the Camera2 API", this item must be enabled .
2. The RAW format (for phones that support it) for photos can be selected in the settings menu (Gear Icon), Photo Settings and then RAW. You can choose between "JPEG only format" - "JPEG and RAW" - "RAW only".
3. If your phone supports an SD external memory, you can choose the SD card as save location. To do this go to the Settings menu (Gear icon), select "More camera controls" and search for "Use Storage Access Framework". A screen will open where you can choose the SD card as the default memory.
4. It is possible to view the Photos and Videos made in dive directly from the housing, by selecting the image at the top right of the app's main screen. The first time you will be asked your preferred gallery system for viewing. Our advice is to use Google Photos, because it is an Application that is supported by all Android Phones, so we are sure of compatibility with all phones.
5. In the Google Photos Gallery, to play a Video you must keep press first the second sensor (Arrow up) and then the OK Button. With Left and Right arrows it is possible to scroll between one photo / video and another. Keep press the last sensor for 5 seconds to return to camera control.
6. The Smartphone screen can be put in Standby by keep press the fourth sensor (arrow left) for 5 seconds. This allows the housing battery to charge the smartphone faster, and to limit overheating. Our advice is to turn off the screen during the dive every time the housing is not used. Just touch any back button to re-activate the App.
7. To avoid accidental activation during surface movements, it is advisable to exit the App before setting the screen to Standby. Press and hold the "Arrow down" sensor for 5 seconds to return to the smartphone home screen. Now you can turn off the screen by pressing the fourth sensor. To re-activate the smartphone, keep press the Ok sensor (the first one) for 5 seconds. This procedure must be performed every time you want to unlock the smartphone.



How to set up your smartphone for optimal use of your Diveshot



1. Updated phone backup



2. Flight mode active



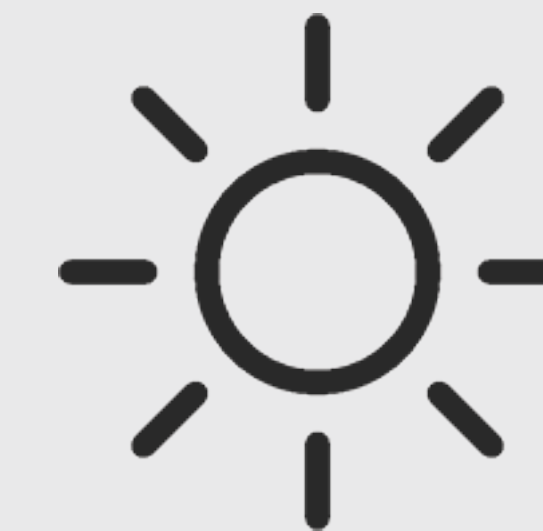
3. Bluetooth active



4. PIN Code Disabled



5. Battery fully charged



6. High display brightness



7. Active Ringtone

1. Make sure you have made a recent backup of your phone data, before using it with Diveshot. This allows you to recover your data in the event of malfunctions of your phone. For Android smartphones, you must set up the backup from your Google account, or use one of the dedicated programs, downloadable from the net.

2. Active flight mode minimizes the power consumption of the smartphone, turning off the GSM / 4g network, allowing a longer battery pack autonomy.

3. Activate the Bluetooth connection. By setting Airplane mode, all connectivity modes are disabled. Just reactivate the Bluetooth so to use it also in flight mode.

4. Disable any kind of security lock (PIN, password, sign or biometric data), and set in Swipe.

5. The smartphone battery charge must be as close as possible to 100%. In this way the PowerBank will keep charged the Smartphone for about 4-5 hours.

6. The smartphone screen brightness should be set at maximum power, especially if you use the housing in shallow water or in bright and transparent seas. Turn off the automatic display brightness.

7. It's necessary to insert the smartphone in the housing with the active ringtone. If you use the smartphone in silent mode, the acoustic allarm that signals flooding of the housing can not be heard.